

# Cooktop Gas

**Models**  
CG901



CG901M





## PRODUCTS

<b>Brand</b>	Fisher & Paykel
<b>Voltage</b>	230-240V 50Hz
<b>Model</b>	<b>Code</b>
CG901	88749 88750
CG901M	87816 87817 88771 88772

### GUIDE TO USING THIS MANUAL

The model(s) and/or series covered by this manual are listed on the front cover.

The information detailed in this manual is subject to change without notice, the latest version is indicated by the reprint date and replaces any earlier editions.

The front cover picture shows the type of product and may not necessarily be an exact image of the models covered by the manual.

### Part References

Where a Model is shown, the part is exclusive to the Model(s) stated. Common parts relating to a part reference are applicable to all other Model(s) which use the particular item.

901 = CG901

901M = CG901M

### Kit Parts

The components shown in *italics* are those parts in the kit which are available also as separate items. In addition, some parts may be supplied with this kit which are not available as separate items and are listed without part numbers. Screws are shown as NI under the part(s) they are associated with.

All details relating to Technical Bulletins or Notes are shown on a dedicated page. The Technical Bulletin Number shown relates to the bulletin version which is produced for Authorised Service Centres.

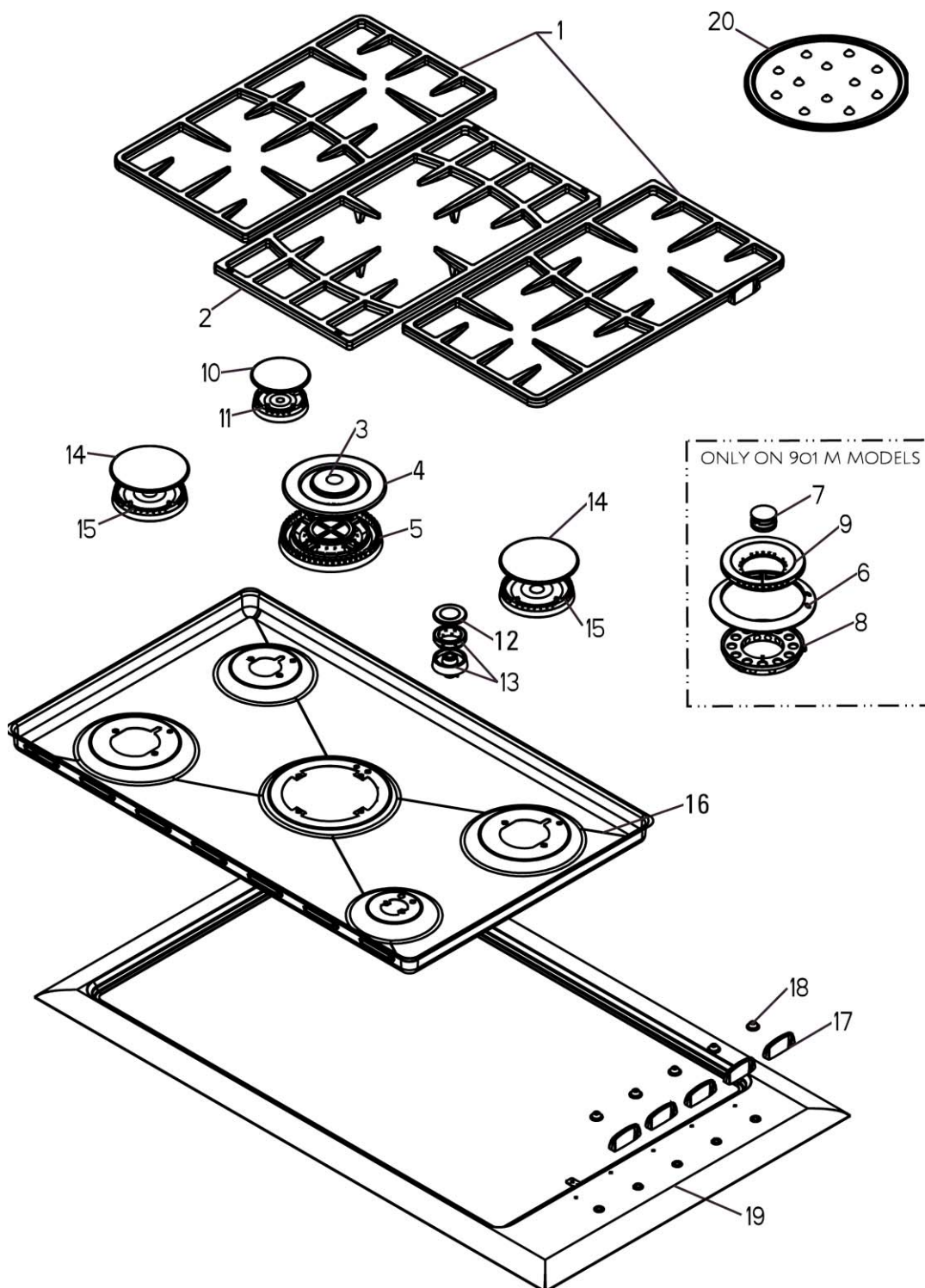
### Parts List Key

NOT USED	As a part, indicates the diagram part reference is not used in this manual.
#	Beside the part number, indicates the part is no longer available.
<i>italics</i>	Kit components shown in <i>italics</i> are also available separately.
*	Indicates a technical bulletin or note exists for the part or part reference.
NI	As a part reference, indicates the part is not illustrated on the diagram.

# CONTENTS

CG901/M HOB TOP .....	5
CG901/M BASEPAN .....	8

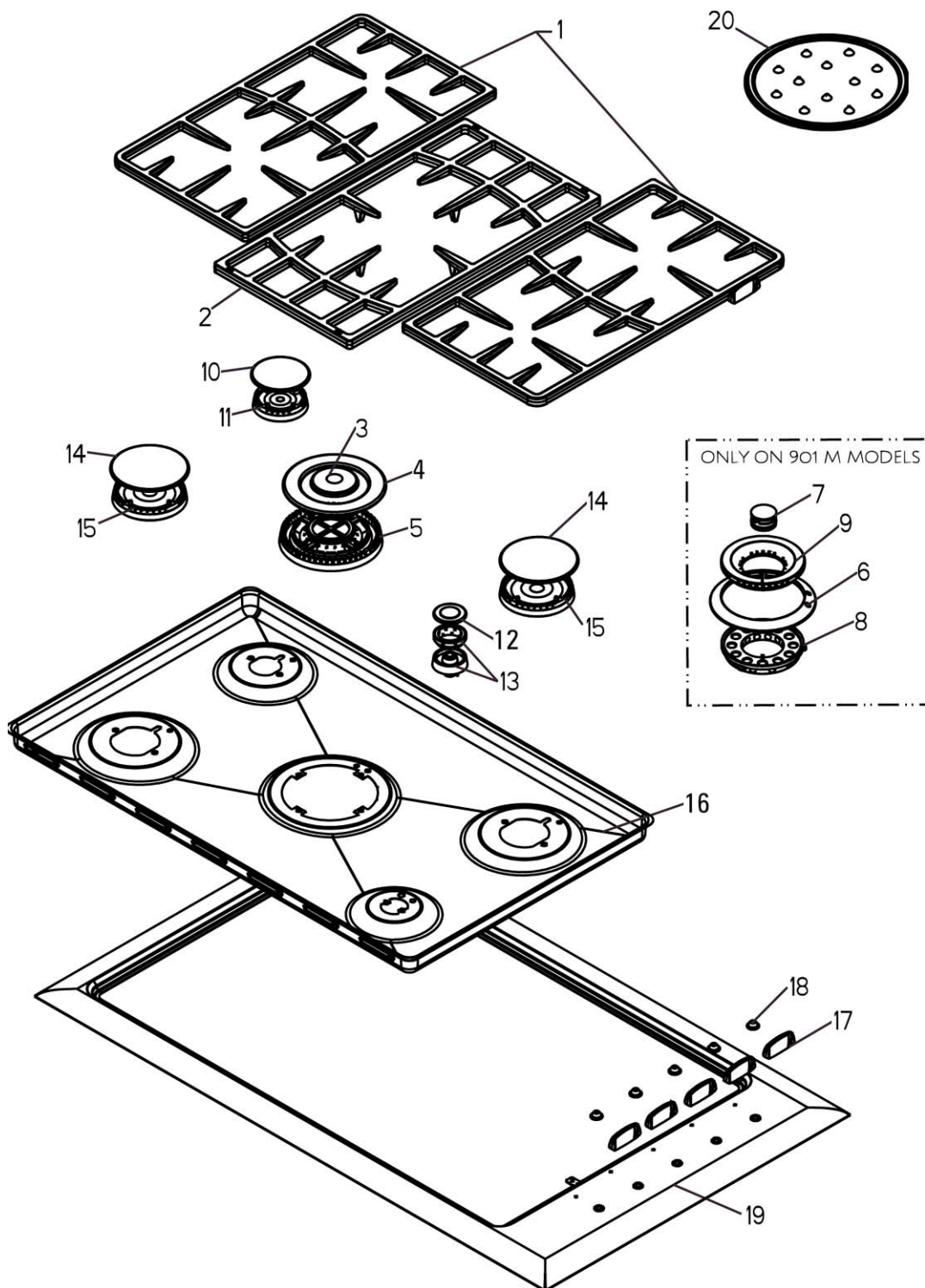
# CG901/M HOB TOP



**CG901/M HOB TOP**

<b>REF</b>	<b>PART</b>	<b>DESCRIPTION</b>	<b>MODEL</b>
1	531450	TRIVET SIDE GC901	901
	531673	TRIVET SIDE CG901M STONE	901M
2	531456	TRIVET CENTRE GC901	901
	531672	TRIVET CENTRE CG901M STONE	901M
NI	531852P	KIT REPAIR FOOT TRIVET 901 PKT 16	
3	530334	BURNER CAP WOK/I ENAM MATT MK2	901
4	530335	BURNER CAP WOK/O ENAM MATT MK2	901
5	531481	BURNER SPREADER WOK SEALED	901
6	531771	DEC RING BRASS FF – NZ, AU	901M
	531690	DEC RING BRASS WOK GG505 – GB	901M
7	531646	BURNER INNER CAP GG505 (BLASTED)	901M
8	531645	BURNER RING BRASS GG505	901M
9	531644	BURNER COVER GG505	901M
10	530333	BURNER CAP SR ENAM MATT MK2	901
	531697	BURNER CAP SR ENAM SILVER MK2	901M
11	530223	BURNER SPREADER SEMI RAPID MK2	
12	530329	BURNER CAP AUX ENAM MATT MK1	901
	531698	BURNER CAP AUX ENAM SILVER MK1	901M
13	531505	BURNER RING/SUPP AUX LOW	
14	531485	BURNER CAP RAPID ENAM MATT MK2	901
	531696	BURNER CAP RAPID ENAM SILVER MK2	901M
15	531622	BURNER SPREADER RAPID MK2	
16	531559	HOB TOP TRAY CG901 FF SS	901
	531772	HOB TOP TRAY CG901M FF SM NZ/AU	901M
	531620	HOB TOP TRAY CG901M FF SM – GB	901M
NI	556099P	SCREW MC M3X7 CSK PH SS PKT 10	
NI	556020P	SCREW MC M4X5 PAN PH MS PKT 10	
NI	531686P	SCREW ISPH M4X12 PH PKT 10	901M
17	531802	KNOB CE/CG901	
18	531650	TRIM KNOB SHAFT GC901	
19	531786	KIT CG901 SS GB HOB (SPARES)	901
		HOB TOP CG901 FP	
		<i>531650 TRIM KNOB SHAFT GC901</i>	
	531787	KIT CG901 SM NZ HOB (SPARES)	901M
		HOB TOP CG901 FP	
		<i>531650 TRIM KNOB SHAFT GC901</i>	
20	530460	SIMMERMAT	

# CG901/M HOB TOP

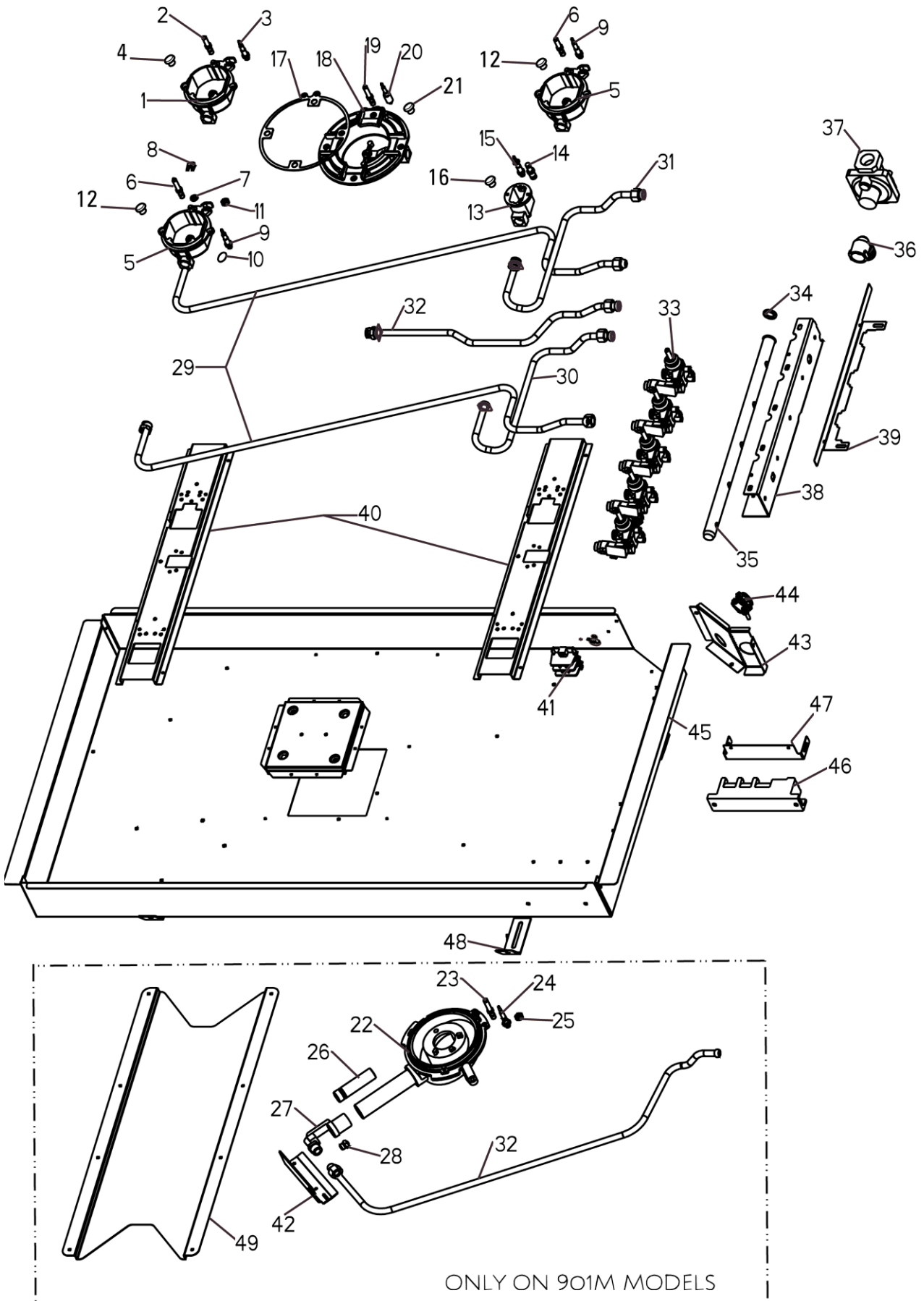


**CG901/M HOB TOP**

<b>REF</b>	<b>PART</b>	<b>DESCRIPTION</b>	<b>MODEL</b>
NI	599077	BOOK USE & CARE GAS CG901 GB	
	599099	BOOK USE & CARE GAS CG901 NZ/AU	901M
NI	530451	BOOK INSTAL INSTR GAS NZ/AU	901M
	530428	BOOK INSTAL INSTR GAS GB	
NI	599109	CARD WOK ASSY GC901M	901M



### CG901/M BASEPAN

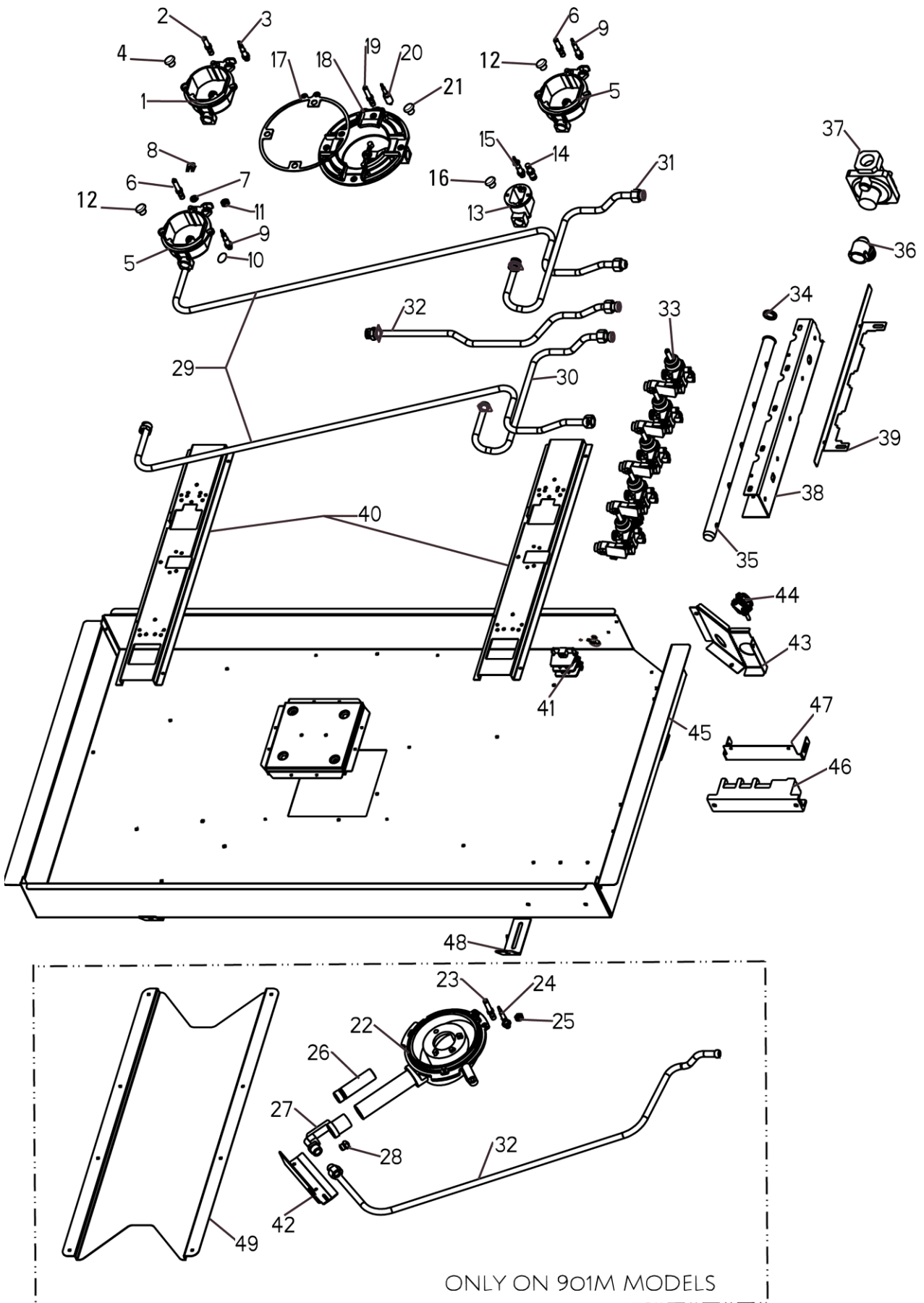


ONLY ON 901M MODELS

**CG901/M BASEPAN**

<b>REF</b>	<b>PART</b>	<b>DESCRIPTION</b>	<b>MODEL</b>
1	531614	BURNER BOWL SEMI RAPID MK2 1.10	
NI	556083P	SCREW TAPT M3.5X6 PNPB PKT 10	
2	530411	ELECTRODE RAPID 8180578 1200MM	
NI	530251	O RING ELECTRODE (BLACK)	
NI	530245	SPRING CLIP ELECTRODE MK2	
3	530248	THERMOCOUPLE 700MM MK2	
NI	530249	O RING ELECT/THERMOCPL 8180991	
NI	530250	NUT THERMOCOUPLE MK2	
4	530141	INJECTOR 1.10 NG – NZ, AU	
	530543	INJECTOR 1.00 NG – GB	
	531627	INJECTOR 0.65 LPG – GB	
NI	531543	KIT CONVERSION CG901M LPG – NZ, AU	901M
5	531461	BURNER BOWL RAPID MK2 1.30	
NI	556083P	SCREW TAPT M3.5X6 PNPB PKT 10	
6	530411	ELECTRODE RAPID 8180578 1200MM	
	530242	ELECTRODE 600MM MK2 8180576	
7	530251	O RING ELECTRODE (BLACK)	
8	530245	SPRING CLIP ELECTRODE MK2	
9	530246	THERMOCOUPLE 320MM MK2	
	530248	THERMOCOUPLE 700MM MK2	
10	530249	O RING ELECT/THERMOCPL 8180991	
11	530250	NUT THERMOCOUPLE MK2	
12	530465	INJECTOR 1.30 NG – NZ, AU	
	530543	INJECTOR 1.00 NG – GB	
	530125	INJECTOR 0.70 LPG – GB	
NI	531543	KIT CONVERSION CG901M LPG – NZ, AU	901M
13	530500	BURNER BOWL ASSY AUX 0.85	
NI	556083P	SCREW TAPT M3.5X6 PNPB PKT10	
14	531591P	KIT ELECTRODE SPRING & CLIP	
		ELECTRODE REIGNITION 8180507	
		SPRING ELECTRODE 8180507	
		CIRCLIP ELECTRODE 8180507	
15	530048	THERMOCPL 450MM M8X1 8588145	
NI	530128	NUT THERMOCOUPLE 8588950	
16	530140	INJECTOR 0.85 NG – NZ, AU	
	530454	INJECTOR 0.75 NG – GB	
	530124	INJECTOR 0.55 LPG – GB	

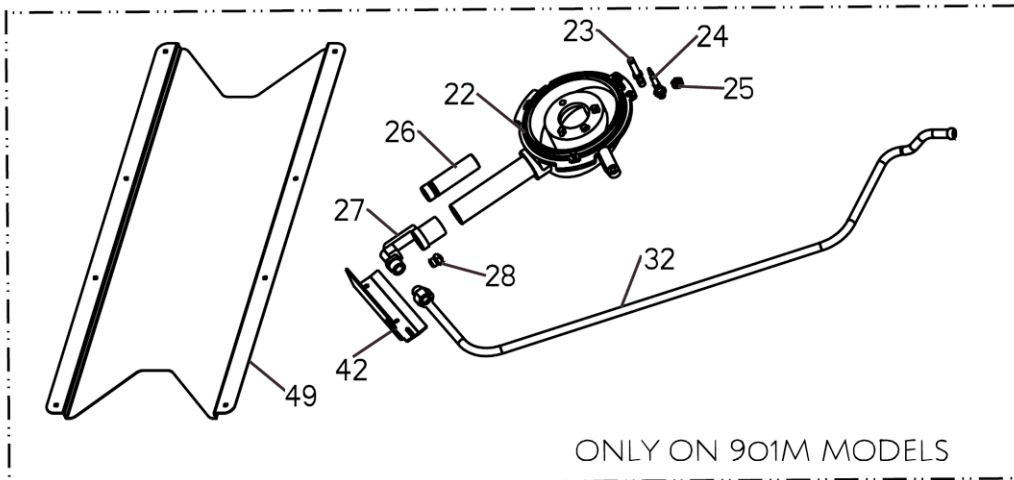
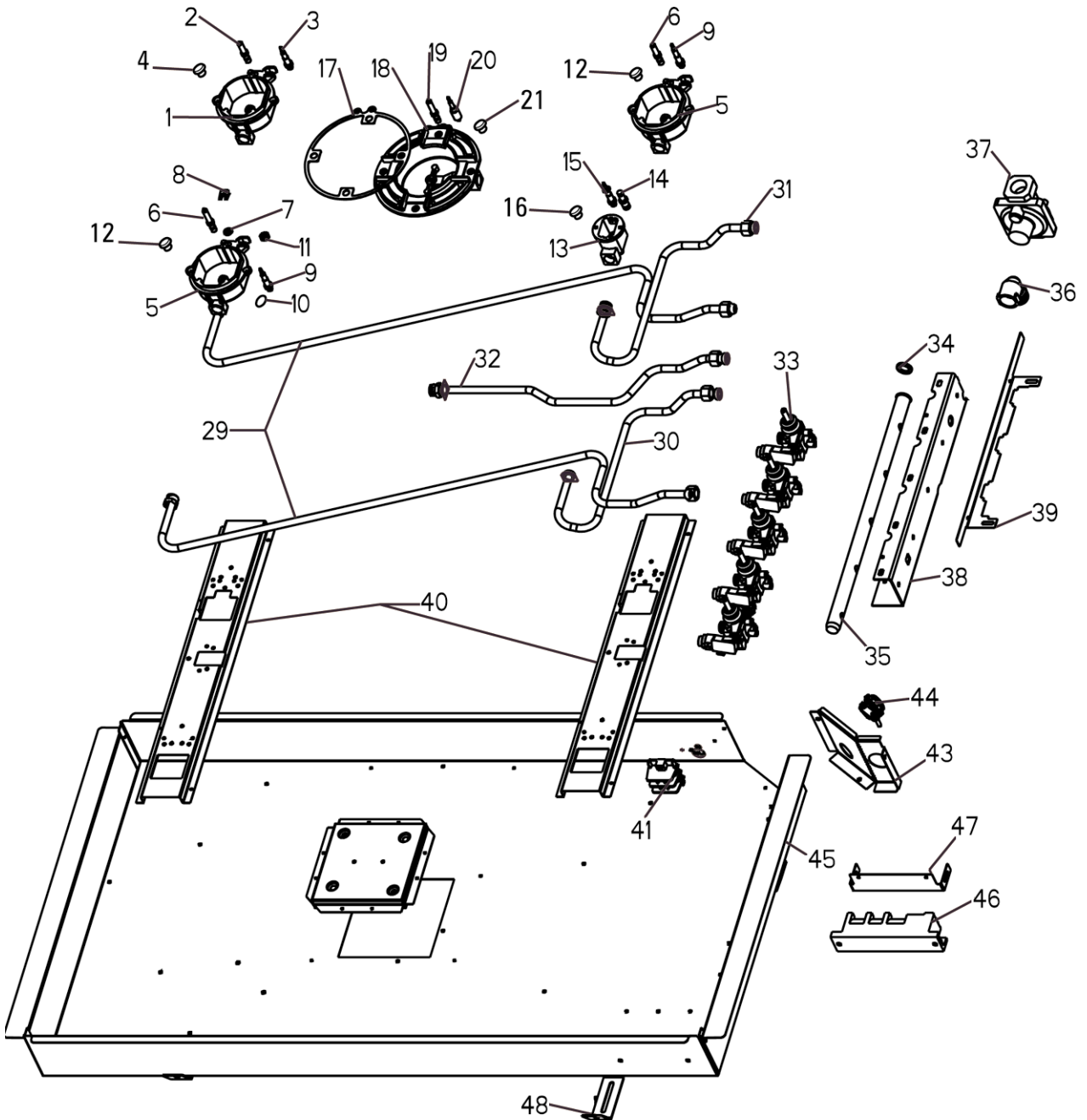
# CG901/M BASEPAN



**CG901/M BASEPAN**

<b>REF</b>	<b>PART</b>	<b>DESCRIPTION</b>	<b>MODEL</b>
NI	531543	KIT CONVERSION CG901M LPG – NZ, AU	901M
17	531570	GASKET BOWL WOK MK2	901
18	531482	BURNER BOWL WOK SEALED	901
NI	556083P	SCREW TAPT M3.5X6 PNPB PKT 10	901
19	530410	ELECTRODE TRB 8180597 750MM	901
NI	530251	O RING ELECTRODE (BLACK)	901
NI	530245	SPRING CLIP ELECTRODE MK2	901
20	530393	THERMOCOUPLE TRB 8588776 750MM	901
NI	530128	NUT THERMOCOUPLE 8588950	901
21	530456	INJECTOR 1.55 NG	901
	530541	INJECTOR 0.95 LPG	901
22	531768	BURNER BOWL WOK GG505 MODIFIED	901M
NI	556012P	SCREW ST 1024X <sup>1</sup> / <sub>2</sub> T23 HXW PHNP PKT 10	901M
23	531679P	KIT ELECTRDE WOK SPRING & CLIP – NZ, AU	
		ELECTRODE WOK US FITTED	
		SPRING CLIP ELECTRODE MK2	901
		SPRING ELECTRODE MOD ISP	901M
		RETAINING RING E 5.0	
	531655P	KIT ELECTRODE GG505 500MM – GB	901M
		ELECTRODE GG505 500MM	
		SPRING ELECTRODE WOK ISPH	
		RETAINING RING E 5.0	
24	531659	THERMOCOUPLE GG505 600MM – GB	901M
	530393	THERMOCOUPLE TRB 750MM – NZ, AU	901M
25	530128	NUT THERMOCOUPLE 8588950 – NZ, AU	901M
NI	531660	CIRCLIP THERMOCOUPLE GG505 – GB	901M
26	531663	VENTURI AIR MIXER GG505	901M
27	531662	JET HOLDER GG505	901M
NI	531686P	SCREW ISPH M4X12 PH PKT 10	901M
28	531691	INJECTOR 1.80 ISPH NG – NZ, AU	901M
	531676	INJECTOR 1.69 ISPH NG – GB	901M
	531678	INJECTOR 1.14 ISPH LPG – GB	901M
NI	531543	KIT CONVERSION CG901M LPG – NZ, AU	901M
29	531554	TUBE NUTS ASSY LEFT GC901	
30	531555	TUBE NUTS ASSY RIGHT GC901	
31	531669	TUBE NUTS ASSY RH RAPID CG901	
32	531668	TUBE NUTS ASSY WOK SLD	901
	531641	TUBE NUTS ASSY WOK ISPH	901M

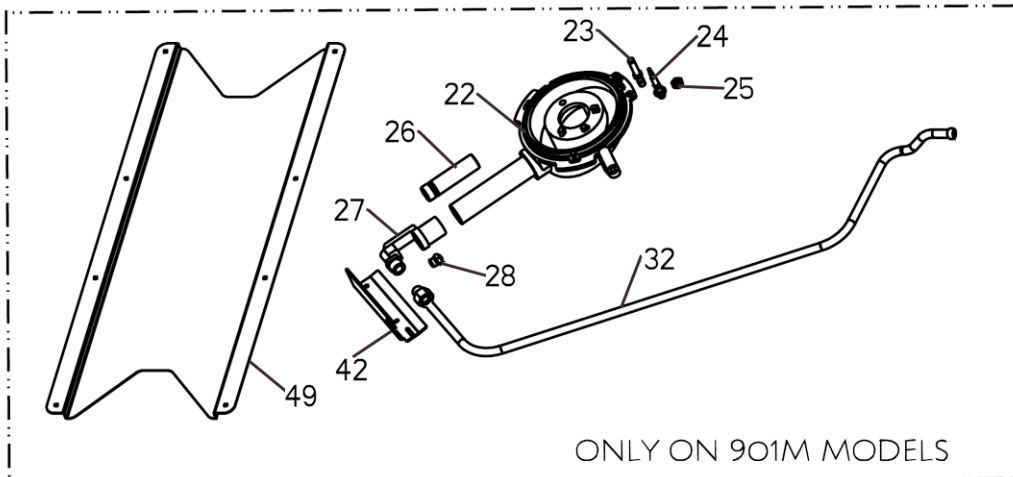
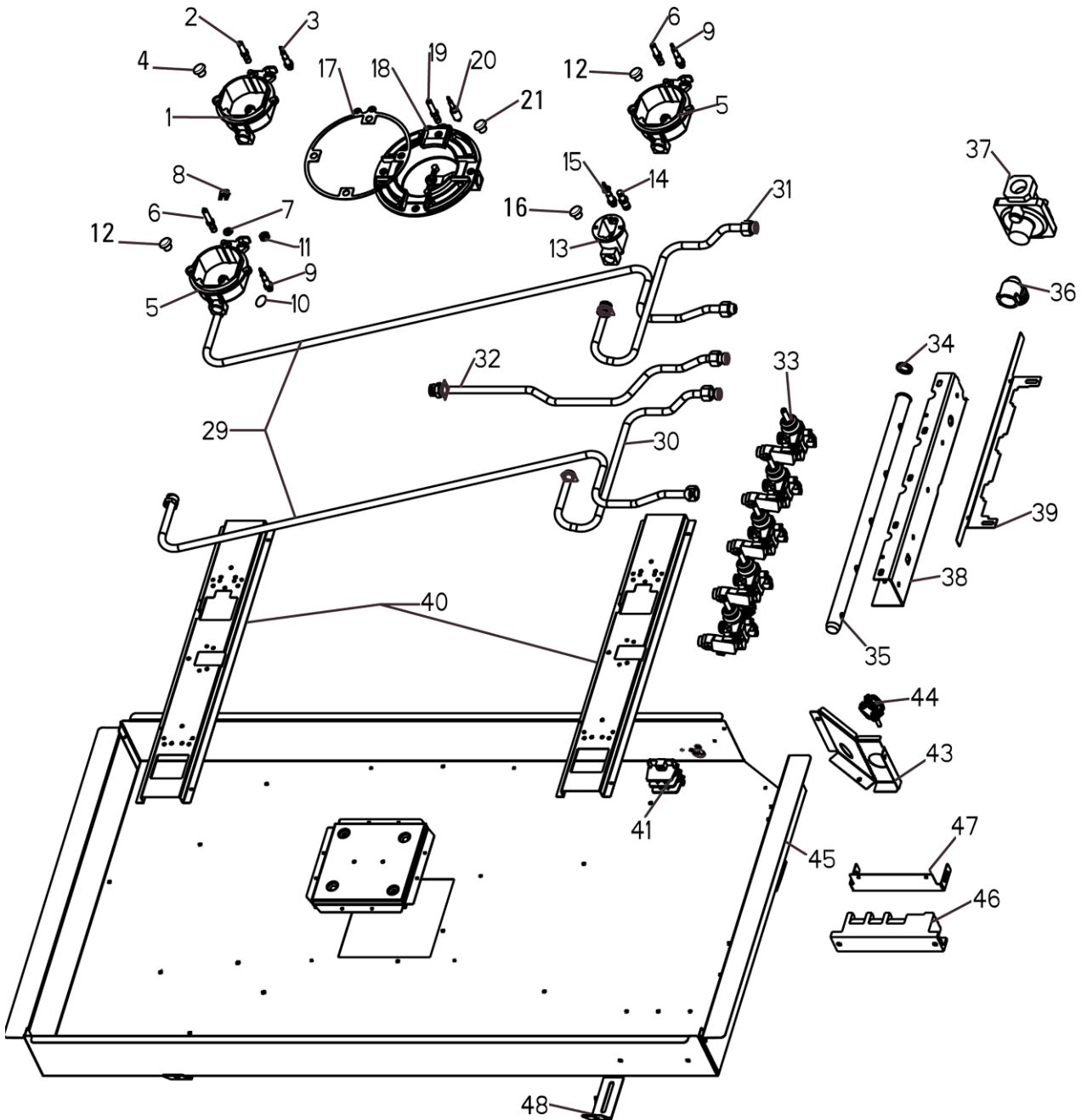
# CG901/M BASEPAN



**CG901/M BASEPAN**

<b>REF</b>	<b>PART</b>	<b>DESCRIPTION</b>	<b>MODEL</b>
33	530302	GAS COCK FF SABAF	
34	530132	WASHER BLUE ½ GAS SEAL	
35	531474	MANIFOLD NUT ASSY GC901	
36	530056	ELBOW ½ – ½ BSP / GREY	
37	530057	REGULATOR NG 6160595 – NZ, AU	901M
38	531454	BRACKET MANIFOLD GC901	
39	531604	BRACKET SUPPORT GC901	
NI	556040P	SCREW MC M4X20 HEX PH PKT 10	
40	531451	BRACKET BURNER GC901	
NI	556083P	SCREW TAPT M3.5X6 PNPB PKT 10	
41	530485	TERMINAL BLOCK OK501-001 (UL)	
NI	556005P	SCREW ST 6X5/8 T25 PNPB PKT 10	
42	531714	BRACKET JET HOLDER	901M
43	531465	BRACKET BASEPAN GC901	
NI	556003P	SCREW ST 6X3/8 T25 PNPB PKT 10	
44	525897	CLAMP CABLE NEER C500 3/8"	
NI	556040P	SCREW MC M4X20 HEX PH PKT 10	
NI	556513P	WASHER LOCK 5/32 EXT SER PKT 10	
NI	556104P	NUT M4 HEX FS MS NIPL PKT 10	
45	531788	KIT BASEPAN	
		<i>531624 INSERT BASEPAN GC901</i>	
		<i>531674 STIFFNER BASEPAN GC901</i>	901M
		<i>531465 BRACKET BASEPAN GC901</i>	
		<i>556003P SCREW ST 6X3/8 T25 PNPB PKT 10</i>	
		BASEPAN GC901	
		TP FM DAA EPDM 12X12X35MM (TAB)	
		TP FM DAA EPDM 3X7X930MM (STRIP)	
		LABEL WARNING GC901 US	
		LABEL GAS TYPE / WIRING NG	
		LABEL GAS TYPE / WIRING GB	
46	530033	IGNITION BOX 6PT 8380610	
47	531680	BRACKET IGNITION BOX	
NI	530301	FLEX ASSY MAINS – NZ, AU	901M
	530384	FLEX ASSY MAINS – GB	
48	531542	BRACKET CLAMPING INSTAL	
NI	556006P	SCREW ST 8X1 TAB PNPB PKT 10	
49	531674	STIFFENER BASEPAN GC901	901M
NI	531543	KIT CONVERSION CG901M LPG – NZ, AU	901M

# CG901/M BASEPAN



ONLY ON 901M MODELS

**CG901/M BASEPAN**

<b>REF</b>	<b>PART</b>	<b>DESCRIPTION</b>	<b>MODEL</b>
NI	530291	TEST POINT ½ IN	
NI	555599	CABAS 0.75 RD/WH PVC LY4L 650	
	555534	CABAS 1.5 GN/YE PVC 500 X B	
	555576	CABAS 1.5 BLUE PTFE 570 N T	
	555625	CABAS 1.5 GREEN PTFE 500 W R	



# NOTES